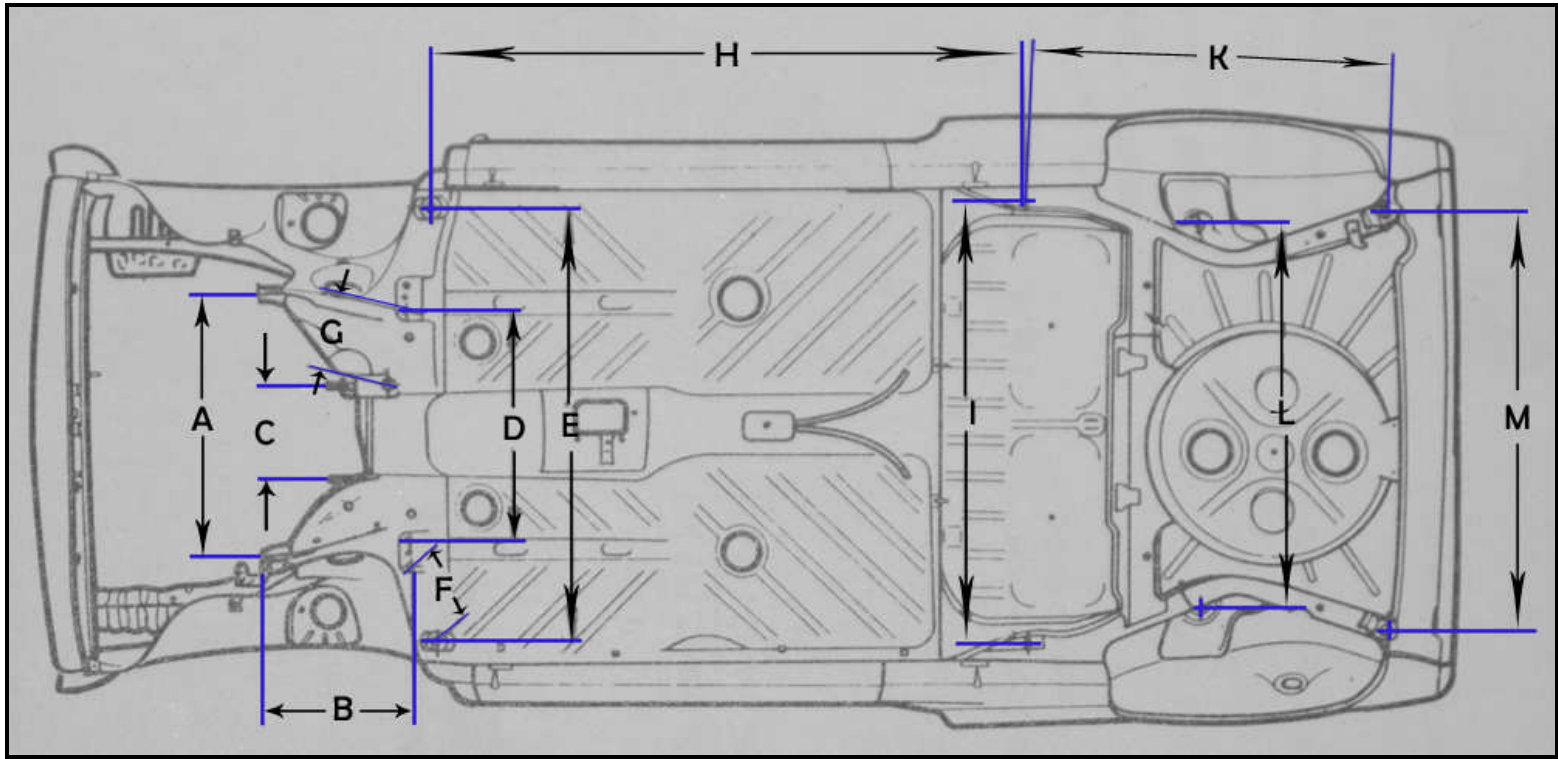


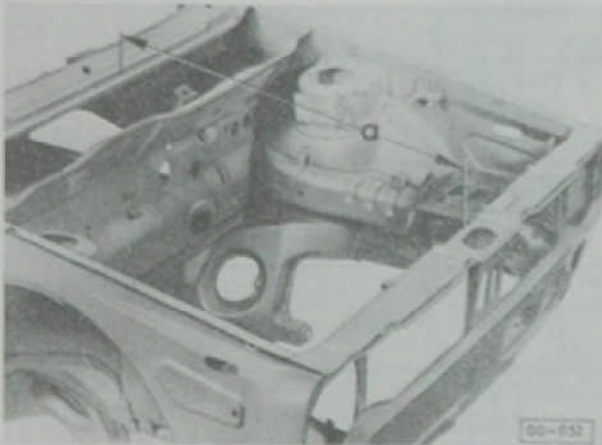
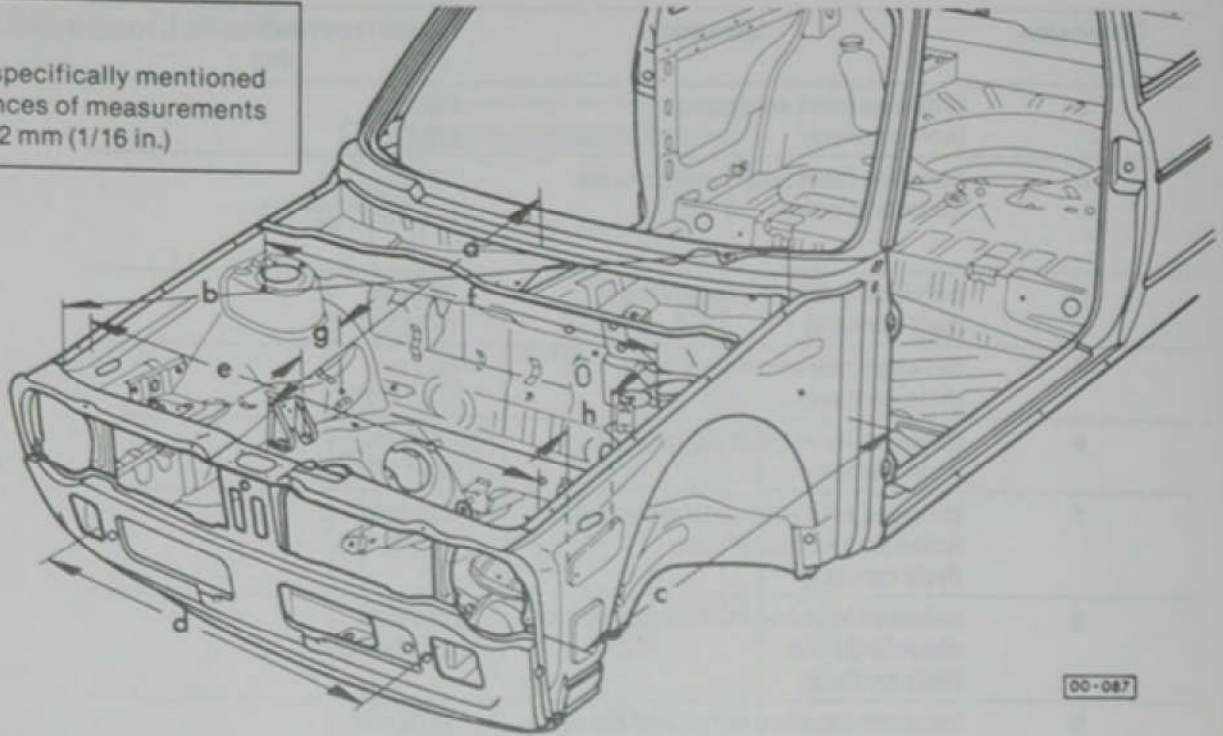
Volkswagen A1 Chassis Structural Dimensions



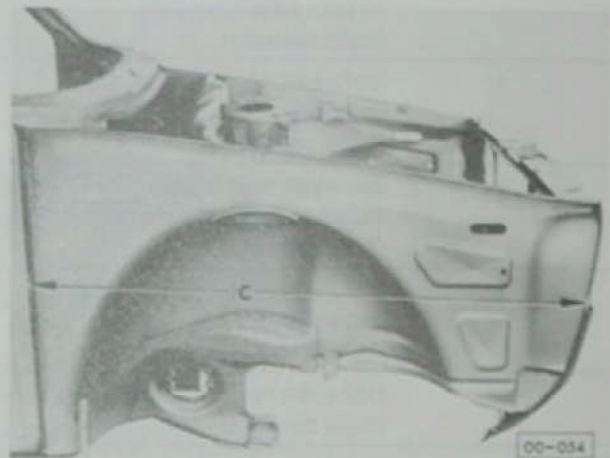
A	Between front subframes (hole centers)	683 mm 26 7/8 in.
B	Between front and rear subframe mounting points	365 mm +1, -3 14 3/8 in. +1/32, -1/8
C	Between subframe mountings (bolt centers)	272 mm 10 23/32 in.
D	Between rear mounting holes (hole centers)	586 mm 23 1/16 in.
E	Between front locating holes (hole centers)	1110 mm 43 11/16 in.
F	Between rear subframe mounting holes and locating holes (hole centers)	204 mm 8 1/32 in.
G	Between locating hole and subframe mounting hole (hole centers)	192 mm 7 9/16 in.
H	Between locating holes and holes in rear side member (hole centers)	1478 mm 58 3/16 in.
I	Between holes in rear side members (hole centers)	1142 mm 44 31/32 in.
K	Between rear locating holes and holes in rear side members (hole centers)	888 mm 34 31/32 in.
L	Between rear axle coil spring mountings (buffer mount centers)	1020 ±4mm 40 5/32 ±5/32 in.
M	Between rear locating holes (hole centers)	1057 mm 41 5/8 in.

Note

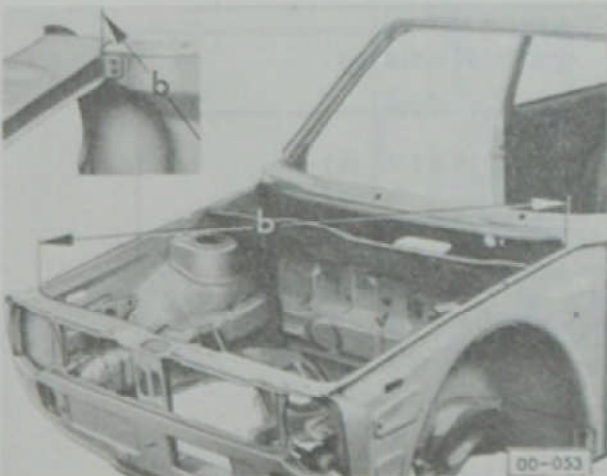
If not specifically mentioned
tolerances of measurements
are ± 2 mm (1/16 in.)



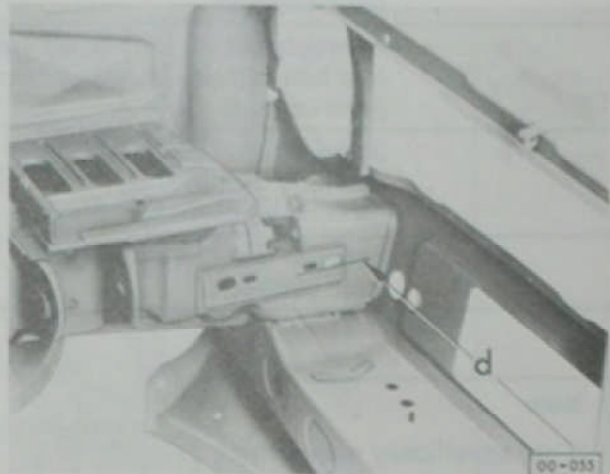
a — 811 mm (31 15/16 in.)
from end of cowl panel to folded edge on
upper front cross member



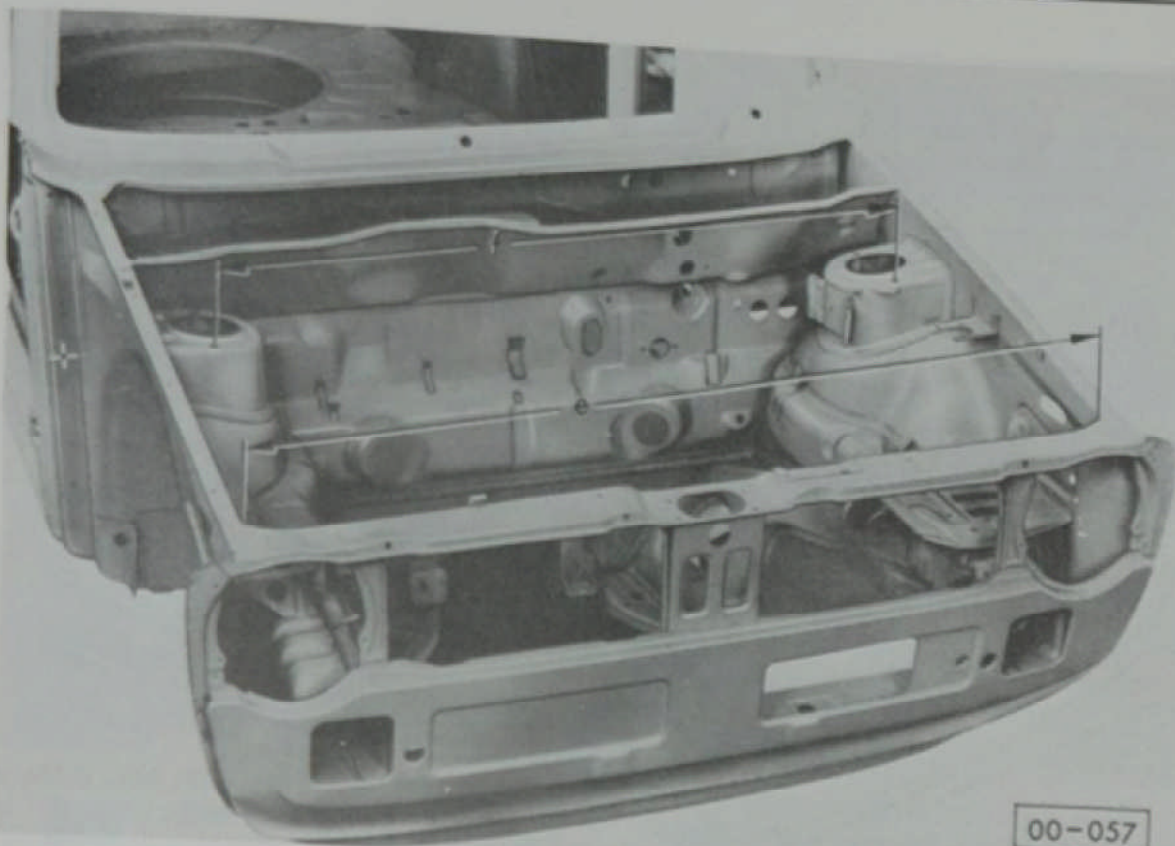
c — 1039 mm (40 29/32 in.)
from hinge pillar center to headlight mounting



b — 1500 mm (59 1/16 in.)
diagonally from cowl panel to upper front
cross member



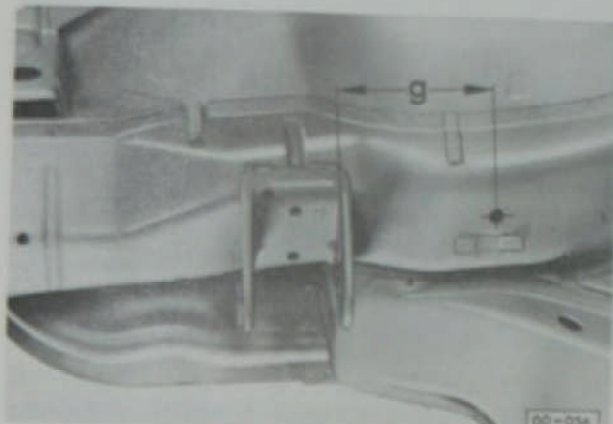
d — 903 mm (35 9/16 in.)
between front side members



00-057

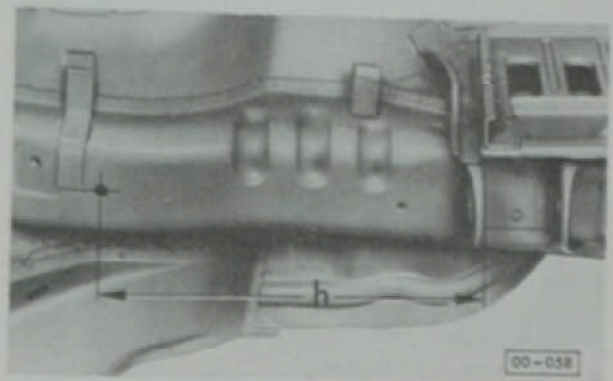
e — 1225 mm (48 1/4 in.)
between wheel housings upper front

f — 1070 mm (42 1/8 in.)
between centers of holes in strut mounts



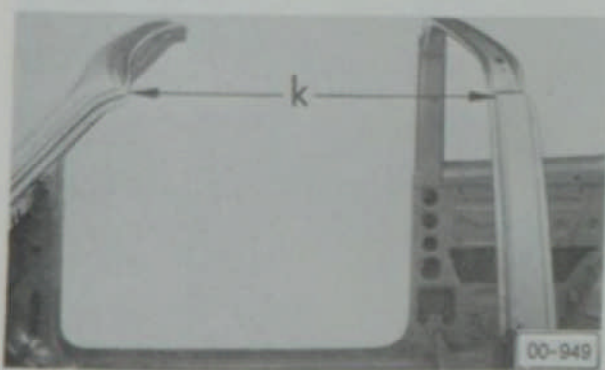
00-036

g — 111 mm (4 3/8 in.)
from center of hole in right side member to
engine mount



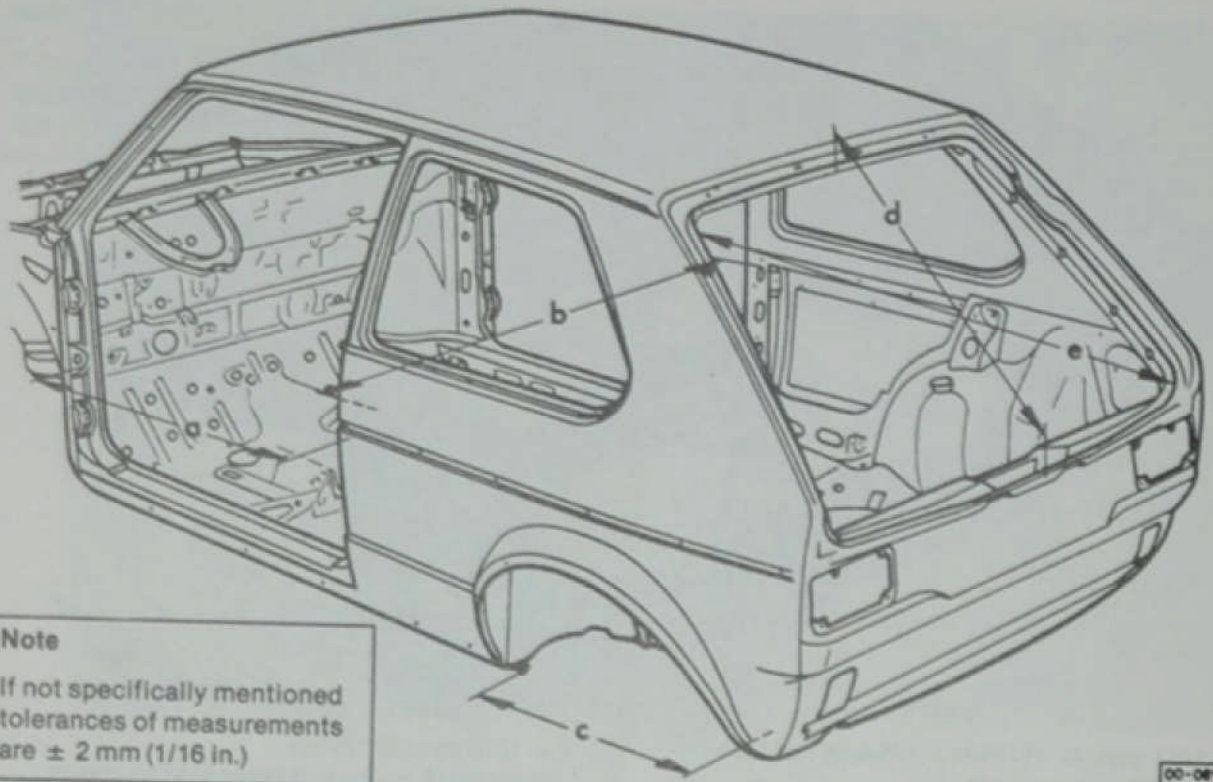
00-058

h — 309 mm (12 5/32 in.)
from center of hole in left side member to
engine mount



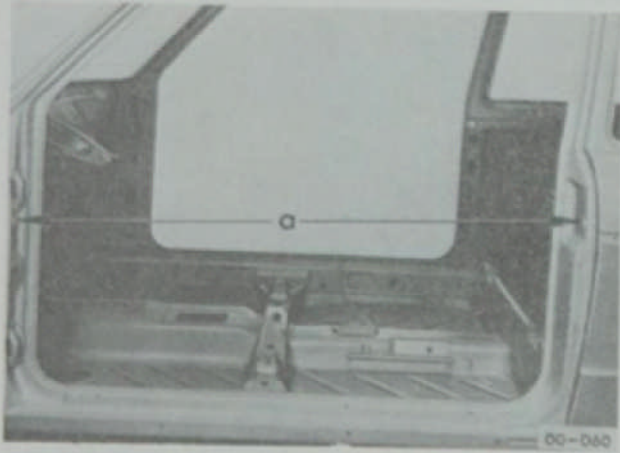
00-949

k — both sides equal
between corner of windshield frame and
edge of rollover bar



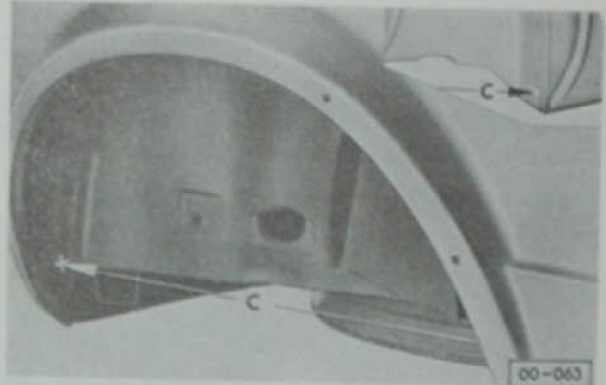
Note
 If not specifically mentioned
 tolerances of measurements
 are ± 2 mm (1/16 in.)

00-067



00-060

a — 1113 mm (43 13/16 in.)
 between hinge pillar and side panel



00-063

c — 717 mm (28 7/32 in.)
 in rear wheel housing

